



LEUPOLD

LEUPOLD.COM

BASE AND RING FIT GUIDE

Find the right Leupold mounting system for your scope

4 STEPS TO FINDING THE RIGHT LEUPOLD MOUNTING SYSTEM FOR YOUR SCOPE AND RIFLE

1

CHOOSE A MOUNT TYPE

PAGE 2

Determine a mount type based on features. Example; STD (adjustable windage), Dual Dovetail, Quick Release, BackCountry, or Cross-slot.



2

FIT BASE TO RIFLE

PAGE 4

Determine which mounts will fit your rifle by using the chart below.

Rifleman Mounts (pg 12) and DeltaPoint Pro Mounts (pg 13) are shown at the end of this section.



3

MATCH RING HEIGHT TO OBJECTIVE DIAMETER

PAGE 14

Determine the height of the rings required to mount your scope based on the front objective diameter of the scope, profile of the rifle barrel, and the type of rifle action. The goal is to have the objective of the scope as close as possible to the barrel without touching.



4

FIT RING DIAMETER TO MAINTUBE DIAMETER

PAGE 16

Determine the ring diameter required to fit the scope maintube diameter. Example; you would need a set of 30mm rings to mount a scope with a 30mm maintube diameter.

1 CHOOSE A MOUNT TYPE

STD™ (Standard™)

- U.S. carbon steel
- Traditional hunting style
- Adjustable windage feature
- For standard calibers less than .300 Win Mag



DD™ (Dual Dovetail™)

- U.S. carbon steel
- Traditional hunting style
- Standard to magnum calibers



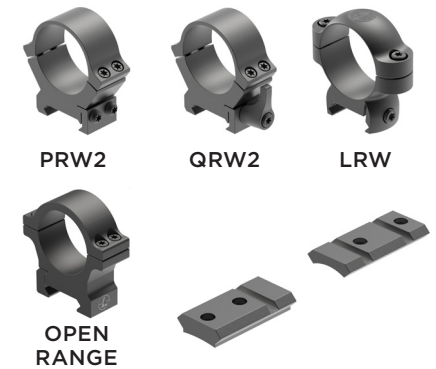
QR™ (Quick Release™)

- U.S. carbon steel
- Traditional hunting style
- Quick release & reattach feature
- Standard to magnum calibers



CROSS-SLOT

- PRW2™ (Perma-Rings Weaver Style™)
- QRW2™ (Quick Release Weaver Style)
- LRW™ (Leupold Rings Weaver Style)
- Open Range™ (Weaver Style)
- Standard to magnum calibers



BACKCOUNTRY™

- Lightweight 7075 aircraft-grade aluminum
- Available in cross-slot and two-piece integrated styles
- Standard to magnum calibers



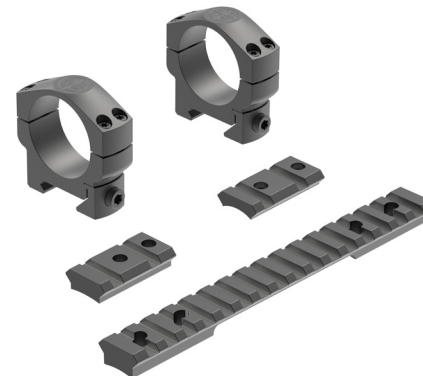
RINGMOUNTS

- Fits integral rifle receivers & rails
- Rimfire (11mm, 13mm & 3/8")
- CZ, Ruger & Sako models
- Standard to magnum calibers



MARK 4®

- U.S. carbon steel & aircraft-grade aluminum rings
- Cross-slot style
- Long range MOA bases
- Standard to magnum calibers



IMS™ (Integral Mounting System)

- For modern sporting rifles
- Correct height with forward cantilever
- Aircraft-grade aluminum
- Standard to magnum calibers



2 FIT BASE TO RIFLE

STD
Dual Dovetail
QR
Cross-Slot
Ringmount
BackCountry
Tactical

FIREARM Base Model	BASE PART NUMBER		
	Gloss	Matte	Silver
ANTONIO ZOLI			
QR Antonio Zoli	—	51344	—
AR / FLATTOP			
IMS (Integral Mounting System) Mounts see chart at the end of Section 1			
BARRET FIELDCRAFT			
BackCountry Cross-Slot SA 1-Pc 20-MOA	—	175647	—
BackCountry Cross-Slot LA 1-Pc 20-MOA	—	175648	—
BERGARA			
B-14 Short Action, B14 .22 see Remington 700 Short Action. B-14 Long Action see Remington 700 Long Action. Premier Short Action (post 2018) see Remington Short Action with 8-40 screws. Premier Long Action (post 2018) see Remington Long Action with 8-40 screws. Premier Short Action (pre 2018) see Browning AB3 Short Action. Premier Long Action (pre 2018) see Browning AB3 Long Action.			
BROWNING			
1885 High Wall (not for use with the 1885 BPCR)			
STD 1885 HW 2-Pc	50012	—	—
1885 Low Wall			
STD 1885 LW 2-Pc	51260	—	—
A-Bolt (Long Action)			
STD A-Bolt 1-Pc	—	50010	—
STD A-Bolt RVR 2-Pc	50029	50030	—
STD A-Bolt 2-Pc	50036	—	—
DD A-Bolt RVF 2-Pc	—	50159	—
QR A-Bolt 2-Pc	—	50057	—
QRW / PRW A-Bolt 2-Pc	—	49847	—
BackCountry Cross-Slot A-Bolt LA 1-Pc	—	171346	—
BackCountry Cross-Slot A-Bolt LA 1-Pc 20-MOA	—	171347	—
Mark 4 A-Bolt LA 20-MOA 1-Pc	—	170751	—
A-Bolt (Short Action)			
STD A-Bolt 1-Pc	—	50008	—
STD A-Bolt RVR 2-Pc	50029	50030	—
STD A-Bolt 2-Pc	50036	—	—
DD A-Bolt RVF 2-Pc	—	50159	—
QR A-Bolt 2-Pc	—	50057	—

FIREARM Base Model	BASE PART NUMBER		
	Gloss	Matte	Silver
QRW / PRW A-Bolt 2-Pc	—	49847	—
BackCountry Cross-Slot A-Bolt SA 1-Pc	—	171344	—
BackCountry Cross-Slot A-Bolt SA 1-Pc 20-MOA	—	171345	—
Mark 4 A-Bolt SA 1-Pc 20-MOA	—	170750	—
A-Bolt Shotgun			
STD A-Bolt Shotgun 2-Pc	—	118395	—
A-Bolt WSSM (including 2005 and later .223 Rem. & .204 Rug. rifles)			
STD A-Bolt WSSM 2-Pc	57330	57340	—
QR A-Bolt WSSM 1-Pc	61010	60790	60660
AB3			
STD AB3 RVR 2-Pc	—	120128	—
DD AB3 RVR 2-Pc	—	172051	—
QR AB3 RVR 2-Pc	—	172052	—
QRW/PRW AB3 2-Pc	—	174313	—
BackCountry RM* AB3 2-Pc 1" Medium	—	171104	—
BackCountry RM* AB3 2-Pc 1" High	—	171105	—
BackCountry RM* AB3 2-Pc 30mm Medium	—	171118	—
BackCountry RM* AB3 2-Pc 30mm High	—	171119	—
BackCountry Cross-Slot AB3 SA 1-Pc	—	174682	—
BackCountry Cross-Slot AB3 SA 1-Pc 20-MOA	—	174683	—
BackCountry Cross-Slot AB3 LA 1-Pc	—	174684	—
BackCountry Cross-Slot AB3 LA 1-Pc 20-MOA	—	174685	—
BAR (also Benelli Argo and R1)			
STD BAR 1-Pc	49985	178121	—
QR BAR 1-Pc	51249	—	—
QR BAR 2-Pc	—	51223	—
QRW BAR 1-Pc	—	179106	—
Euro-Bolt II			
STD BR-European 2-Pc	50032	—	—
FN Action see Mauser FN			
BLR (Model 81, Pre-1996)			
STD BLR 1-Pc	49986	178122	—
BLR (Post 1996)			
STD BLR Lightning 2-Pc	50237	50238	—
Semi-Auto .22 RF Rifle			
DD BR S-A RF 1-Pc	50014	—	—

* BackCountry RM (Ringmount) Fits Rt. Hand or Lt. Hand Actions

2 FIT BASE TO RIFLE / CONT.

STD

Dual Dovetail

QR

Cross-Slot

Ringmount

BackCountry

Tactical

FIREARM Base Model	BASE PART NUMBER		
	Gloss	Matte	Silver
T-Bolt			
STD 541 2-Pc	50028	—	—
QR 541 2-Pc	—	52239	—
QRW / PRW 541 2-Pc	49866	—	—
X-Bolt Super Short Action (204 Rug, 223 Rem, 22-250 Rem) or Extra-Long Action (300 RUM, 300 PRC, 375 H&H)			
STD X-Bolt 2-Pc	65424	65416	65425
DD X-Bolt 2-Pc	65414	65413	65415
QR X-Bolt 2-Pc	—	66080	—
BackCountry RM* X-Bolt 2-Pc 1" Medium	—	171108	—
BackCountry RM* X-Bolt 2-Pc 1" High	—	171109	—
BackCountry RM* X-Bolt 2-Pc 30mm Medium	—	171122	—
BackCountry RM* X-Bolt 2-Pc 30mm High	—	171123	—
BackCountry Cross-Slot X-Bolt Super SA 1-Pc 20-MOA	—	181332	—
BackCountry Cross-Slot X-Bolt XL\A 1-Pc 20-MOA	—	181447	—
X-Bolt			
STD X-Bolt 2-Pc	65424	65416	65425
DD X-Bolt 2-Pc	65414	65413	65415
QR X-Bolt 2-Pc	—	66080	—
BackCountry RM* X-Bolt 2-Pc 1" Medium	—	171108	—
BackCountry RM* X-Bolt 2-Pc 1" High	—	171109	—
BackCountry RM* X-Bolt 2-Pc 30mm Medium	—	171122	—
BackCountry RM* X-Bolt 2-Pc 30mm High	—	171123	—
BackCountry Cross-Slot X-Bolt SA 1-Pc	—	176394	—
BackCountry Cross-Slot X-Bolt SA 1-Pc 20-MOA	—	176395	—
BackCountry Cross-Slot X-Bolt LA 1-Pc	—	176396	—
BackCountry Cross-Slot X-Bolt LA 1-Pc 20-MOA	—	176397	—
BSA			
BSA Monarch (Rt. Hand, Long Action) see Remington 700 (Rt. Hand, Long Action)			
BSA Monarch (Rt. Hand, Short Action) see Remington 700 (Rt. Hand, Short Action)			
CHRISTENSEN ARMS			
Mesa, Ridgeline, Traverse Short Action, see Remington 700 Short Action. Mesa, Ridgeline, Traverse Long Action, see Remington 700 Long Action.			
COOPER			
Cooper 16, 22, 23, 52, 56 & 92			
STD Cooper 16/22/23 2-Pc	—	50234	—

FIREARM Base Model	BASE PART NUMBER		
	Gloss	Matte	Silver
Cooper 21, 38 & 57			
STD Cooper 21/38 2-Pc	—	52980	—
CVA			
CVA			
QR CVA 2-Pc	—	52324	—
CZ			
CZ 527			
RM CZ 527 1" Medium (1.00")	—	177363	—
RM CZ 527 1" High (1.10")	—	177364	—
RM CZ 527 30mm Medium (1.00")	—	177365	—
RM CZ 527 30mm High (1.10")	—	177366	—
CZ 550 & CZ 557			
RM CZ 550 1" Medium (1.00")	—	177359	—
RM CZ 550 1" High (1.10")	—	177360	—
RM CZ 550 30mm Medium (1.00")	—	177361	—
RM CZ 550 30mm High (1.10")	—	177362	—
DAKOTA			
Dakota 76			
QR 70 Exp Pre-64 2-Pc	—	50062	—
QRW / PRW 70 Exp Pre-64 2-Pc	—	49836	—
HARRINGTON & RICHARDSON			
Harrington & Richardson 300, 301, 330, 370: Pre-1973 see Mauser FN			
HUSQVARNA			
Husqvarna Carl Gustaf & Crown Grade (also J.C. Higgins Post 1955)			
STD HC 1-Pc	49989	—	—
HOWA, INTERARMS			
1500 see Weatherby Vanguard			
J.C. HIGGINS			
J.C. Higgins Post 1955 see Husqvarna			
J.C. Higgins Pre-1955 see Mauser FN			
KIMBER			
Kimber 84M (2004 models and newer)			
STD 84 2-Pc	—	56859	—
DD 84 2-Pc	—	60910	—
BackCountry Cross-Slot Kimber 84M SA 1-pc	—	176390	—
BackCountry Cross-Slot Kimber 84M SA 20-MOA	—	176391	—

2 FIT BASE TO RIFLE / CONT.

STD Dual Dovetail QR Cross-Slot Ringmount BackCountry Tactical

FIREARM Base Model	BASE PART NUMBER		
	Gloss	Matte	Silver
Kimber 84L			
STD 84 2-Pc	—	56859	—
DD 84 2-Pc	—	60910	—
BackCountry Cross-Slot 84L 1-Pc	—	176711	—
BackCountry Cross-Slot 84L 1-Pc 20-MOA	—	176712	—
Kimber 8400 WSM			
STD 8400 RVF 2-Pc	—	56928	—
DD 8400 RVF 2-Pc	—	60760	—
QR 8400 2-Pc	—	64015	—
BackCountry Cross-Slot 8400 WSM 1-Pc	—	176713	—
BackCountry Cross-Slot 8400 WSM 1-Pc 20-MOA	—	176714	—
Kimber 8400 (2004 models and newer)			
STD 8400 RVF 2-Pc	—	56928	—
DD 8400 RVF 2-Pc	—	60760	—
QR 8400 2-Pc	—	64015	—
BackCountry Cross-Slot Kimber 8400 Magnum LA 1-pc	—	176392	—
BackCountry Cross-Slot Kimber 8400 Magnum LA 1-Pc 20-MOA	—	176393	—
KNIGHT			
Knight DISC LK93 & KRB, & Wolverine see Remington 541			
STD 541 2-Pc	50028	—	—
QR 541 2-Pc	—	52239	—
QRW / PRW 541 2-Pc	49866	—	—
MARLIN			
Marlin MR 7 & MR 7B (Rt. Hand, Long Action) see Winchester 70 (Rt. Hand, Long Action)			
Marlin MR 7 (Rt. Hand, Short Action) see Winchester 70 (Rt. Hand, Short Action)			
Marlin 336, 336T, 35, 36, 36A, 375, 444, 1895, 9, 45, 30AS, 922M, & XLR			
STD 1895/336 1-Pc	49987	178127	—
QR 1895/336 1-Pc	—	54229	54227
Marlin 455 see Mauser FN			
MAUSER			
Mauser FN (also Browning FN .264 through .458, Harrington & Richardson 300, 301, 330, 370 Pre-1973, J.C. Higgins Pre-1955, Marlin 455, Mauser M12, Mauser Mark X, Parker Hale 100, 1100, 1200, Remington Model 798, Sako Round Receiver, and Weatherby FN)			
STD FN 1-Pc	49988	178124	—
STD FN 2-Pc	50025	50026	—

FIREARM Base Model	BASE PART NUMBER		
	Gloss	Matte	Silver
STD FN RVF 2-Pc	50027	—	—
QR FN 2-Pc	50055	50056	—
Mauser Mark X (Interarms) see Mauser FN			
Mauser 98 and similar models (Large Ring) (Ring heights are based upon original configuration and may vary according to custom configurations; firearm may require modification)			
STD M 98 1-Pc	49990	178123	—
STD M 98 2-Pc	—	52370	—
Mauser 96, 38, and similar models (Small Ring) (Ring heights are based upon original configuration and may vary according to custom configurations; firearm may require modification)			
STD M 96 2-Pc	—	51263	—
MOSSBERG			
Mossberg 1500/1700/ATR (Rt. Hand, Long Action) see Remington 700 (Rt. Hand, Long Action)			
Mossberg 1500/1700/ATR (Rt. Hand, Short Action) see Remington 700 (Rt. Hand, Short Action)			
NOSLER			
All Remington 700 2-Pc fit Nosler M48. See Remington 700 2-Pc			
BackCountry Cross-Slot M48 SA 1-Pc	—	175217	—
BackCountry Cross-Slot M48 SA 1-Pc 20-MOA	—	175218	—
BackCountry Cross-Slot M48 LA 1-Pc	—	175219	—
BackCountry Cross-Slot M48 LA 1-Pc 20-MOA	—	175220	—
PARKER HALE			
Parker Hale 1000, 1100, 1200 see Mauser FN			
REMINGTON			
Remington Model 4, 6, 7400, & 7600			
STD 7400/7600 1-Pc	49993	53056	—
QR 7400/7600 1-Pc	50067	—	—
QRW 7400/7600 1-Pc	—	180004	—
Remington Model 7 (for use with any Remington Model 7)			
STD 700 RH-SA 1-Pc	50005	50006	50161
STD 700 Long Range RH-SA 1-Pc	—	51734	—
QR 700 RH-SA 1-Pc	—	51247	—
BackCountry Cross-Slot Rem Mod 7 1-Pc	—	175922	—
BackCountry Cross-Slot Rem Mod 7 1-Pc 20-MOA	—	175923	—

* BackCountry RM (Ringmount) Fits Rt. Hand or Lt. Hand Actions

2 FIT BASE TO RIFLE / CONT.

STD Dual Dovetail QR Cross-Slot Ringmount BackCountry Tactical

FIREARM Base Model	BASE PART NUMBER		
	Gloss	Matte	Silver
Remington Model 7 (serial number higher than 762,800 on stainless models or 773,800 on blue finished models)			
STD 700 RH-SA 1-Pc	50005	50006	50161
STD 700 Long Range RH-SA 1-Pc	—	51734	—
STD Model 7 2-Pc	51256	57277	51257
QR 700 RH-SA 1-Pc	—	51247	—
DD XP-100 1-Pc	—	53570	—
Remington 541 (also Knight DISC,LK93 & KRB, & Wolverine)			
STD 541 2-Pc	50028	—	—
QR 541 2-Pc	—	52239	—
QRW / PRW 541 2-Pc	49866	—	—
Remington 600/660 and 673 Guide Rifle			
STD 700 RH-SA 1-Pc	50005	50006	50161
STD 700 Long Range RH-SA 1-Pc	—	51734	—
QR 700 RH-SA 1-Pc	—	51247	—
DD XP-100 1-Pc	—	53570	—
All Remington 700, 721, 725, 40X. Two-Piece Bases			
STD 700 2-Pc	50015	50016	57510
STD 700 RVF 2-Pc	50017	50018	50019
DD 700 2-Pc	50041	50042	51727
DD 700 RVF 2-Pc	—	50044	—
QR 700 2-Pc	50049	50050	—
QRW / PRW 700 2-Pc	49840	49841	49842
QRW / PRW 700 2-Pc (8-40)	—	180293	—
BackCountry RM* 700 2-Pc 1" Medium	—	171098	—
BackCountry RM* 700 2-Pc 1" High	—	171099	—
BackCountry RM* 700 2-Pc 30mm Medium	—	171112	—
BackCountry RM* 700 2-Pc 30mm High	—	171113	—
BackCountry RM* 700 2-Pc 30mm (8-40) Medium	—	177138	—
BackCountry RM* 700 2-Pc 30mm (8-40) High	—	177139	—
Mark 4 Remington 700 2-pc	—	59230	—
Remington 700/721/725 (Rt. Hand, Long Action) (also BSA Monarch, Mossberg 1500/1700, Ruger M77 Round Receiver, Smith and Wesson 1500 Rifle, & Tar Hunt RSG 12/20, Weatherby Mark V 2-pc)			
STD 700 RH-LA 1-Pc	50003	50004	—
STD 700 Long Range RH-LA 1-Pc	—	51732	51733
BackCountry Cross-Slot 700 LA 1-Pc	—	171334	—
BackCountry Cross-Slot 700 LA 1-Pc 20-MOA	—	171335	—

FIREARM Base Model	BASE PART NUMBER		
	Gloss	Matte	Silver
Mark 4 Remington 700 LA 20 MOA 1-pc	—	170749	—
Remington 700/721/725 (Lt. Hand, Long Action)			
STD 700 LH-LA 1-Pc	50007	—	—
BackCountry Cross-Slot 700 LA 1-Pc	—	171334	—
BackCountry Cross-Slot 700 LA 1-Pc 20-MOA	—	171335	—
Mark 4 Remington 700 LA 1-Pc 20 MOA	—	170749	—
Remington 700/721/725 (Rt. Hand, Short Action) (also BSA Monarch, Mossberg 1500/1700, Remington 700 Muzzleloader, & Ruger M77 Round Receiver)			
STD 700 RH-SA 1-Pc	50005	50006	50161
STD 700 Long Range RH-SA 1-Pc	—	51734	—
QR 700 RH-SA 1-Pc	—	51247	—
DD XP-100 1-Pc	—	53570	—
BackCountry Cross-Slot 700 SA 1-Pc	—	171332	—
BackCountry Cross-Slot 700 SA 1-Pc 20-MOA	—	171333	—
Mark 4 Remington 700 SA 20 MOA 1-pc	—	170744	—
Remington 700/721/725 (Lt. Hand, Short Action)			
BackCountry Cross-Slot 700 SA 1-Pc	—	171332	—
BackCountry Cross-Slot 700 SA 1-Pc 20-MOA	—	171333	—
Mark 4 Remington 700 SA 1-Pc 20 MOA	—	170744	—
Remington 40X (Long Action)			
STD 700 RH-LA 1-Pc	50003	50004	—
STD 700 Long Range RH-LA 1-Pc	—	51732	51733
BackCountry Cross-Slot 700 LA 1-Pc	—	171334	—
BackCountry Cross-Slot 700 LA 1-Pc (8-40)	—	180951	—
BackCountry Cross-Slot 700 LA 1-Pc 20-MOA	—	171335	—
BackCountry Cross-Slot 700 LA 1-Pc 20-MOA (8-40)	—	180952	—
Mark 4 700 LA 1-Pc 20-MOA	—	170749	—
Remington 40X (Short Action)			
STD 700 RH-SA 1-Pc	50005	50006	50161
STD 700 Long Range RH-SA 1-Pc	—	51734	—
QR 700 RH-SA 1-Pc	—	51247	—
DD XP-100 1-Pc	—	53570	—
BackCountry Cross-Slot 700 SA 1-Pc	—	171332	—
BackCountry Cross-Slot 700 SA 1-Pc (8-40)	—	180949	—
BackCountry Cross-Slot 700 SA 1-Pc 20-MOA	—	171333	—
BackCountry Cross-Slot 700 SA 1-Pc 20-MOA (8-40)	—	180950	—
Mark 4 700 SA 1-Pc 20-MOA	—	170744	—

2 FIT BASE TO RIFLE / CONT.

STD Dual Dovetail QR Cross-Slot Ringmount BackCountry Tactical

FIREARM Base Model	BASE PART NUMBER		
	Gloss	Matte	Silver
Remington 700 Muzzleloader see Remington 700 (Rt. Hand, Short Action)			
Remington 710 & 770			
STD 710 2-Pc	—	54100	—
Remington 740, 742, & 760			
STD 760 1-Pc	49992	178120	—
Remington 750			
STD 7400/7600 1-Pc	49993	—	—
QRW / PRW 7400/7600 1-Pc (Aluminum)	—	180004	—
Remington 783			
STD 10/110 Round Receiver 2-Pc	55741	55742	55743
DD 10/110 Round Receiver 2-Pc	—	114975	—
QR 10/110 Round Receiver 2-Pc	—	55761	—
BackCountry Cross-Slot 783 SA 1-Pc	—	175971	—
BackCountry Cross-Slot 783 SA 1-Pc 20-MOA	—	175972	—
BackCountry Cross-Slot 783 LA 1-Pc	—	175973	—
BackCountry Cross-Slot 783 LA 1-Pc 20-MOA	—	175974	—
Mark 4 10/110 Round Receiver 2-Pc	—	59245	—
Remington XP-100 (for use with any Remington XP-100)			
STD 700 RH-SA 1-Pc	50005	50006	50161
STD 700 Long Range RH-SA 1-Pc	—	51734	—
QR 700 RH-SA 1-Pc	—	51247	—
DD XP-100 1-Pc	—	53570	—
Remington XP-100 R (new model with four mounting holes)			
STD 700 RH-SA 1-Pc	50005	50006	50161
STD Model 7 2-Pc	51256	57277	51257
STD 700 Long Range RH-SA 1-Pc	—	51734	—
QR 700 RH-SA 1-Pc	—	51247	—
DD XP-100 1-Pc	—	53570	—
BackCountry Cross-Slot 700 SA 1-Pc	—	171332	—
BackCountry Cross-Slot 700 SA 1-Pc (8-40)	—	180949	—
BackCountry Cross-Slot 700 SA 1-Pc 20-MOA	—	171333	—
BackCountry Cross-Slot 700 SA 1-Pc 20-MOA (8-40)	—	180950	—
Mark 4 700 SA 1-Pc 20-MOA	—	170744	—
RIMFIRE			
Rimfire (for use with 11mm dovetail rail)			
RM Rimfire 11mm Medium (0.85")	54231	178114	—
RM Rimfire 11mm High (0.98")	54234	178115	—

* BackCountry RM (Ringmount) Fits Rt. Hand or Lt. Hand Actions

FIREARM Base Model	BASE PART NUMBER		
	Gloss	Matte	Silver
Rimfire (for use with 13mm dovetail rail)			
RM Rimfire 13mm (1/2") Low (0.72")	49949	178118	—
RM Rimfire 13mm (1/2") Medium (0.84")	49947	178119	—
Rimfire (for use with 3/8 inch dovetail rail)			
RM Rimfire 3/8 inch Medium (0.87")	54289	178116	—
RM Rimfire 3/8 inch High (1.00")	54286	178117	—
RUGER			
Ruger American			
STD Ruger Am. 2-Pc	—	171903	—
STD Ruger Am. RVR 2-Pc	—	120092	—
STD Ruger Am. Rimfire 2-Pc	—	170489	—
DD Ruger Am. RVR 2-Pc	—	171901	—
BackCountry Cross-Slot Ruger Am. SA 1-Pc	—	171358	—
BackCountry Cross-Slot Ruger Am. SA 1-Pc 20-MOA	—	171359	—
BackCountry Cross-Slot Ruger Am. LA 1-Pc	—	171360	—
BackCountry Cross-Slot Ruger Am. LA 1-Pc 20-MOA	—	171361	—
Ruger Number 1, 77/22, 77/44, 77/357, 96/44, Mini 14/30 with integral mount			
RM Ruger No. 1 - 1" Low (0.73")	49950	60924	—
RM Ruger No. 1 - 1" High (1.15")	—	50217	—
RM Ruger No. 1 Extension - 1" Medium (1.03")	—	52306	—
RM Ruger No. 1 Extension - 1" High (1.15")	—	52307	—
RM Ruger No. 1 Extension - 1" Super High (1.28")	—	52308	—
RM Ruger No. 1 - 30mm Medium (1.03")	—	51038	—
RM Ruger No. 1 - 30mm High (1.15")	—	51039	—
Ruger 10/22			
STD 10/22 1-Pc	49994	51723	51724
BackCountry Cross-Slot 10/22 1-Pc 20-MOA	—	176389	—
Ruger M77 (Round Receiver, Rt. Hand, Long Action) see Remington 700 (Rt. Hand, Long Action)			
Ruger M77 (Dovetail Receiver, Long Action & Short Action)			
RM Ruger M77 - 1" Low (0.73")	—	61017	—
RM Ruger M77 - 1" Medium (0.90")	—	170351	—
RM Ruger M77 - 1" High (1.03")	49951	49952	49953
RM Ruger M77 - 1" Super High (1.15")	49954	49944	—
RM Ruger M77 Extension - 1" High (1.03")	—	52301	—
RM Ruger M77 Extension - 1" Super High (1.15")	—	52302	—
RM Ruger M77 - 30mm Medium (0.90")	—	51041	—

2 FIT BASE TO RIFLE / CONT.

STD Dual Dovetail QR Cross-Slot Ringmount BackCountry Tactical

FIREARM Base Model	BASE PART NUMBER		
	Gloss	Matte	Silver
RM Ruger M77 - 30mm High (1.03")	—	51042	—
RM Ruger M77 - 30mm Super High (1.15")	—	51043	—
RM Ruger M77 Extension - 30mm High (1.03")	—	52304	—
RM Ruger M77 Extension - 30mm Super High (1.15")	—	52305	—
RM Ruger M77 Extension - 34mm High (1.02")	—	120151	—
SAKO			
Sako (Round Receiver) see Mauser FN			
Sako (Tapered Dovetail Receiver) (not for use with the Sako Finfire or other Sako .22 rimfire rifles)			
QR Sako 2-Pc	—	53066	—
RM Sako - 1" Low (0.76")	49946	—	—
RM Sako - 1" Medium (0.86")	49945	54409	51719
RM Sako - 1" High (1.06")	49948	54410	51720
RM Sako - 1" Super High (1.16")	—	49943	—
RM Sako - 30mm Medium (0.86")	—	51036	—
RM Sako - 30mm High (1.06")	—	51037	—
RM Sako - 30mm Super High (1.16")	—	51722	—
SAUER			
Sauer 90/200			
QR 90/200 2-Pc	—	50061	—
Sauer 202			
QR 202 2-Pc	50215	—	—
BackCountry Cross-Slot 202 SA 1-Pc	—	171356	—
BackCountry Cross-Slot 202 LA 1-Pc	—	171357	—
SAVAGE			
Savage all 10 - 16 and 110 - 116 Round Rear Receiver, Axis. (Most Savage centerfire rifles in 2021 and future will require 8-40 screws). STD, QR and DD Savage mounts come with 6-48 and 8-40 screws.			
STD 10/110 Round Receiver 2-Pc	55741	55742	55743
DD 10/110 Round Receiver 2-Pc	—	114975	—
QR 10/110 Round Receiver 2-Pc	—	55761	—
QRW / PRW 10/110 Round Receiver 2-Pc	—	171707	—
QRW / PRW 10/110 Round Receiver 2-Pc (8-40)	—	180295	—
BackCountry RM* 10/110 2-Pc 1" Medium	—	171100	—
BackCountry RM* 10/110 2-Pc 1" High	—	171101	—
BackCountry RM* 10/110 2-Pc 30mm Medium	—	171114	—

FIREARM Base Model	BASE PART NUMBER		
	Gloss	Matte	Silver
BackCountry RM* 10/110 2-Pc 30mm High	—	171115	—
BackCountry RM* 10/110 2-Pc 30mm Medium (8-40)	—	177140	—
BackCountry RM* 10/110 2-Pc 30mm High (8-40)	—	177141	—
Mark 4 10/110 Round Receiver 2-Pc	—	59245	—
Savage all 10 - 16 and 110 - 116 Flat Rear Receiver			
QRW/PRW 110 2-Pc	49833	—	—
Savage 110 through 116 Round Rear Receiver (Rt. Hand, Long Action)			
STD 110 RH-LA Round Receiver 1-Pc	55701	178125	—
QRW/PRW 110/Axis LA 1-Pc (8-40) Aluminum	—	180296	—
BackCountry Cross-Slot 110/AXIS LA 1-Pc	—	171338	—
BackCountry Cross-Slot 110/Axis LA 1-Pc 20-MOA	—	171339	—
BackCountry Cross-Slot 110 LA 1-Pc (8-40)	—	180955	—
BackCountry Cross-Slot 110 LA 1-Pc 20-MOA (8-40)	—	180956	—
Mark 4 10/110 Rnd Recvr 1-Pc 20-MOA (8-40)	—	170746	—
Savage 10 through 16 Round Rear Receiver (Rt. Hand, Short Action)			
STD 10 RH-SA Round Receiver 1-Pc	55721	55724	—
BackCountry Cross-Slot 10 SA 1-Pc	—	171336	—
BackCountry Cross-Slot 10 SA 20-MOA 1-Pc	—	171337	—
BackCountry Cross-Slot 110 Rnd Recvr SA 1-Pc	—	180953	—
BackCountry Cross-Slot 110 Rnd Recvr SA 1-Pc 20-MOA	—	180954	—
Mark 4 10/110 Rnd Recvr SA 1-Pc 20-MOA (8-40)	—	170745	—
Savage 110 through 116 Round Rear Receiver (Lt. Hand, Long Action)			
STD 10 LH-LA Round Receiver 1-Pc	55711	—	—
BackCountry Cross-Slot 110/Axis LA 1-Pc	—	171338	—
BackCountry Cross-Slot 110/Axis LA 1-Pc 20-MOA	—	171359	—
BackCountry Cross-Slot 110 LA 1-Pc (8-40)	—	180955	—
BackCountry Cross-Slot 110 LA 1-Pc 20-MOA (8-40)	—	180956	—
Savage 110 through 116 Round Rear Receiver (Lt. Hand, Short Action)			
BackCountry Cross-Slot 10 SA 1-Pc	—	171336	—
BackCountry Cross-Slot 10 SA 1-Pc 20-MOA	—	171337	—
Mark 4 10/110 Rnd Recvr SA 1-Pc 20-MOA (8-40)	—	170745	—
Savage 110 through 116 Flat Rear Receiver (Rt. Hand, Long Action)			
STD 110 RH-LA 1-Pc	49996	—	—
Savage 10 through 16 Flat Rear Receiver (Rt. Hand, Short Action)			
STD 10 RH-SA 1-Pc	—	52317	—
Savage 99			
STD 99 1-Pc	49995	178126	—

* BackCountry RM (Ringmount) Fits Rt. Hand or Lt. Hand Actions

2 FIT BASE TO RIFLE / CONT.

STD Dual Dovetail QR Cross-Slot Ringmount BackCountry Tactical

FIREARM Base Model	BASE PART NUMBER		
	Gloss	Matte	Silver
SMITH AND WESSON			
Smith and Wesson Rifle (Early Model)			
STD HC 1-Pc	49989	—	—
Smith and Wesson 1500 (Rt. Hand, Long Action) see Remington 700 (Rt. Hand, Long Action)			
Springfield 1903 A3			
STD 1903 A3 1-Pc	49997	178128	—
STEYR			
Steyr SBS Safe Bolt Pro Hunter & Forester			
STD A-Bolt LR 2-Pc	50029	50030	50031
STD A-Bolt 2-Pc	50036	—	—
DD A-Bolt RVF 2-Pc	—	50159	—
QR A-Bolt 2-Pc	—	50057	—
QRW / PRW A-Bolt 2-Pc	49846	49847	—
QR Steyr / Mannlicher 2-Pc	—	60656	—
Tar Hunt RSG 12 & RSG 20 see Remington 700 (Rt. Hand, Long Action)			
THOMPSON / CENTER			
Thompson / Center Contender			
DD T/C-C 1-Pc	53556	—	53558
QR T/C-C 1-Pc	50068	—	—
Thompson / Center Encore & Omega, Pro Hunter FX			
DD T/C Encore 1-Pc	—	54218	54798
QR T/C Encore 1-Pc	—	52325	—
TIKKA			
Tikka T3 / T3x			
STD Tikka T3/T3x 2-Pc	—	54447	—
DD Tikka T3/T3x 2-Pc	—	170384	—
QR Tikka T3/T3x 2-Pc	—	114976	—
QRW T3/T3x 2-Pc	—	170029	—
BackCountry RM* T3/T3x 2-Pc 1" Medium	—	171102	—
BackCountry RM* T3/T3x 2-Pc 1" High	—	171103	—
BackCountry RM* T3/T3x 2-Pc 30mm Medium	—	171116	—
BackCountry RM* T3/T3x 2-Pc 30mm High	—	171117	—
BackCountry Cross-Slot T3/T3x 1-Pc	—	171348	—
BackCountry Cross-Slot T3/T3x 1-Pc 20-MOA	—	171349	—
Mark 4 T3/T3x 20-MOA 1-Pc	—	170753	—

* BackCountry RM (Ringmount) Fits Rt. Hand or Lt. Hand Actions

FIREARM Base Model	BASE PART NUMBER		
	Gloss	Matte	Silver
Traditions Lightning & Buckhunter & Remington Genesis			
QR Traditions 2-Pc	—	52315	—
WEATHERBY			
Weatherby FN see Mauser FN			
Weatherby Mark V Magnum (9 Lug) & Vanguard			
STD Mark V 2-Pc	51700	51701	—
STD Mark V RVF 2-Pc	51702	51703	—
DD Mark V 2-Pc	51705	51706	—
DD Mark V RVF 2-Pc	—	51707	—
QR Mark V 2-Pc	—	51709	—
QRW / PRW Mark V 2-Pc	—	171709	—
BackCountry RM* Mark V 2-Pc 1" Medium	—	171110	—
BackCountry RM* Mark V 2-Pc 1" High	—	171111	—
BackCountry RM* Mark V 2-Pc 30mm Medium	—	171124	—
BackCountry RM* Mark V 2-Pc 30mm High	—	171125	—
BackCountry Cross-Slot Mark V/Vanguard LA 1-Pc	—	171354	—
BackCountry Cross-Slot Mark V/Vanguard LA 1-Pc 20-MOA	—	171355	—
BackCountry Cross-Slot Vanguard SA 1-Pc	—	171514	—
BackCountry Cross-Slot Vanguard SA 1-Pc 20-MOA	—	171515	—
Mark 4 Mark V LA, 1-Pc 20-MOA	—	171500	—
Mark 4 Vanguard SA, 1-Pc 20-MOA	—	171498	—
Weatherby Mark V Lightweight & .240 Wby Mag., (6 Lug)			
STD Mark V LT 2-Pc	52319	52507	—
Mark 4 Mark LT 1-Pc 20-MOA (8-40)	—	171499	—
BackCountry Cross-Slot Mark V LT 1-Pc	—	171352	—
BackCountry Cross-Slot Mark V LT 1-Pc 20-MOA	—	171353	—
WESTERN FIELD M7-40			
STD 336R 1-Pc	49987	—	—
WINCHESTER			
Winchester 70 WSSM			
STD 70 WSSM 2-Pc	—	57310	—
Winchester 70, 670, 770, & 70A Post-WWII, non-Express models (serial number higher than 66,360)			
STD 70 RVR 2-Pc	50020	50021	—
STD 70 RVF/R 2-Pc	50022	50023	50024
DD 70 2-Pc	50045	50046	57286

2 FIT BASE TO RIFLE / CONT.

STD
Dual Dovetail
QR
Cross-Slot
Ringmount
BackCountry
Tactical

FIREARM Base Model	BASE PART NUMBER		
	Gloss	Matte	Silver
DD 70 RVF 2-Pc	—	54241	—
QR 70 2-Pc	50053	50054	—
QRW / PRW 70 2-Pc	—	49838	—
QRW / PRW 70 2-Pc (8-40)	—	180293	—
BackCountry RM* 70 2-Pc 1" Medium	—	171106	—
BackCountry RM* 70 2-Pc 1" High	—	171107	—
BackCountry RM* 70 2-Pc 30mm Medium	—	171120	—
BackCountry RM* 70 2-Pc 30mm High	—	171121	—
Mark 4 70 2-Pc	—	59240	—
Winchester 70, 670, 770, & 70A (Long Action) Post-WWII, non-Express models (serial number higher than 66,360)			
STD 70A 1-Pc	50000	50001	—
STD 70 Long Range RH-LA 1-Pc	—	51736	—
BackCountry Cross-Slot 70 LA 1-Pc	—	171342	—
BackCountry Cross-Slot 70 LA 1-Pc 20-MOA	—	171343	—
Mark 4 70 LA 1-Pc 20-MOA (8-40)	—	170747	—
Winchester 70 (Short Action) Pre-2003 Post-WWII, non-Express models (serial number higher than 66,360)			
STD 70 Long Range RH-SA 1-Pc (Pre 2003)	—	51738	—
Winchester 70, 670, 770, & 70A (Short Action) Post-2003 Post-WWII, non-Express models (serial number higher than 66,360)			
BackCountry Cross-Slot 70 SA 1-Pc	—	171340	—
BackCountry Cross-Slot 70 SA 1-Pc 20-MOA	—	171341	—
Mark 4 70 SA 20-MOA 1-Pc (8-40)	—	170748	—
Winchester 70 Express Pre-1964 (.435 Rear Mount Hole Spacing for .458 Win., .416 Rem, .375 H&H, .300 Weatherby, and .300 H&H magnums)			
QR 70 Exp Pre-64 2-Pc	—	50062	—
QRW / PRW 70 Exp Pre-64 2-Pc	—	49836	—
Winchester 70 Express Post 1964 (.330 Rear Mount Hole Spacing for .458 Win., .416 Rem, .375 H&H, .300 Weatherby, .300 H&H magnums, and 7mm STW)			
DD 70 Exp Post-1964 RVF 2-Pc	—	54240	—
QR 70 Exp Post-64 2-Pc	—	50063	—
QRW / PRW 70 Exp Post-64 2-Pc	—	49835	—
Winchester 94 AE (except for big bore applications)			
STD 94 2-Pc	50035	—	—
Winchester 1885 High Wall Hunter & Traditional Hunter			
STD 1885 HW 2-Pc	50012	—	—
Winchester 1885 High Wall .22 cal			
STD 1885 HW 2-Pc	50012	—	—

FIREARM Base Model	BASE PART NUMBER		
	Gloss	Matte	Silver
Winchester 1885 Low Wall (.17 HMR & .17 Mach 2)			
STD 1885 LW 2-Pc	51260	—	—
Winchester XPR			
STD XPR 2-Pc	—	174499	—
DD XPR 2-Pc	—	170358	—
QR XPR 2-Pc	—	174495	—
QRW / PRW XPR 2-Pc	—	174436	—
BackCountry Cross-Slot XPR SA 1-Pc	—	174686	—
BackCountry Cross-Slot XPR SA 1-Pc 20 MOA	—	174687	—
BackCountry Cross-Slot XPR LA 1-Pc	—	174688	—
BackCountry Cross-Slot XPR LA 1-Pc 20 MOA	—	174689	—

IMS MOUNTS - AR / FLATTOP

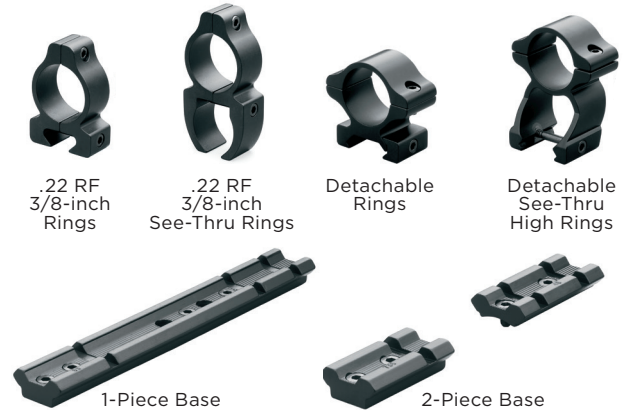
IMS = Integral Mounting System

Mount	Gloss	Matte	Silver
Handlemount	—	52136	—
Mark IMS 34mm	—	176882	—
Mark IMS 34mm 20-MOA	—	176883	—
Mark IMS 34mm Bolt-Action	—	176884	—
Mark IMS 34mm Left-hand	—	176915	—
Mark IMS 34mm Bolt-Action 20-MOA	—	176885	—
Mark IMS 35mm	—	176886	—
Mark IMS 35mm Dark Earth	—	178847	—
Mark IMS 35mm 20-MOA	—	176887	—
Mark IMS 35mm Bolt-Action	—	176888	—
Mark IMS 35mm Bolt-Action 20-MOA	—	176889	—
Mark AR Picatinny Riser	—	181347	—
Mark AR IMS 1"	—	177093	—
Mark AR IMS 30mm	—	177094	—
Mark AR IMS 34mm	—	177095	—
Mark AR IMS 35mm	—	177096	—

RIFLEMAN MOUNTING INFORMATION

FIREARM Base Model	BASE PART NUMBER			RIFLEMAN SCOPE		
				3-9x40	3-9x50	4-12x40
	Gloss	Matte	Silver	MAXIMUM RING SPACING		
BROWNING				RECOMMENDED RINGS		
Rifleman A-Bolt 2-Pc	-	56521	-	M**	H*	M**
Rifleman AB3 2-Pc	-	174377	-	M**	H*	M**
CVA /TRADITIONS						
Rifleman CVA & Trad. Pursuit 2-Pc	-	56500	-	M**	H*	M**
HARRINGTON & RICHARDSON						
Rifleman H&R New England Muzzleloader 1-Pc	-	56515	-	M**	H*	M**
KNIGHT LK 93						
Rifleman LK 93 2-Pc	-	56503	-	H*	H*	H*
MARLIN 336						
Rifleman 336 1-Pc	-	55910	-	M**	H*	M**
REMINGTON						
Rifleman 7 2-Pc	-	56867	-	M**	H*	M**
Rifleman 700 2-Pc	-	55890	57488	M**	H*	M**
Rifleman 7400/7600 1-Pc	-	56512	-	M**	H*	M**
RIMFIRE						
Rifleman .22 RF 3/8-inch Ringmount	57405	56533	-	+	+	+
Rifleman .22 RF 3/8-inch Det. See-Thru Rings	57327	57323	-	+	+	+
RUGER 10/22						
Rifleman 10/22 1-Pc	-	56506	57774	M**	H*	M**
SAVAGE 110						
Rifleman 110 Flat Rear Receiver 2-Pc	-	56509	57872	M**	H*	M**
SAVAGE 10/110						
Rifleman 10/110 Round Receiver 2-Pc	-	170385	-	M**	H*	M**
Rifleman 10/110 Rnd Receiver 2-Pc (8-40)	-	181335	-	M**	H*	M**
SAVAGE AXIS/LA						
Rifleman Axis/LA 1-Pc	-	120834	-	M**	H*	M**
Rifleman Axis/LA 1-Pc (8-40)	-	181336	-	M**	H*	M**
THOMPSON/CENTER ENCORE & OMEGA						
Rifleman T/C Encore & Omega 1-Pc	-	56518	58042	H*	H*	H*
WINCHESTER 70						
Rifleman 70 2-Pc	-	55900	-	M**	H*	M**
Rifleman Win XPR 2-Pc	-	174384	-	M**	H*	M**

Machined from lightweight aircraft-grade aluminum. Bases fit most rifle models; matched with your choice of detachable or vertical split rings in low, medium, or high.



LEUPOLD RIFLEMAN RINGS	Height (in)	FINISH & PART NO.		
		Gloss	Matte	Silver
Vertical Split Rings	0.67	57415	55850	57420
.22 RF 3/8" Rings	0.67	57405	56533	-
.22 RF 3/8" Detachable See-Thru Rings	1.5	57327	57323	-
Detachable Low Rings	0.61	-	56524	57996
Detachable Medium Rings	0.74	57380	55860	57385
Detachable High Rings	0.99	57390	55870	57833
30mm Detachable Medium Rings	0.79	-	171478	-
30mm Detachable High Rings	0.99	-	171479	-
Detachable See-Thru High Rings	1.4	57395	55880	57400

* Rifleman Detachable See-Thru Rings – Gloss (57395), Matte (55880), or Silver (57400) may also be used

** Rifleman Detachable See-Thru Rings – Gloss (57395), Matte (55880), Silver (57400); Rifleman Vertical Split Rings – Matte (55850), may also be used

+ Symbol indicates an appropriate mount to be used with this scope

DELTAPOINT PRO

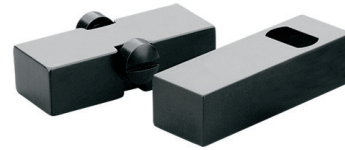
DELTAPOINT PRO ACCESSORIES (ALL MATTE FINISH)	
D-LOC Mount for AR and Flattop	171861
AR Mount	177154
45° AR Mount	173236
Cross-Slot Mount	120056
Rear Iron Sight	120058
Dovetail Mount, Beretta 92	170902
Dovetail Mount, CZ 75	170903
Dovetail Mount, 1911	170904
Dovetail Mount, HK	170905
Dovetail Mount, Glock	170906
Dovetail Mount, SIG 226	170908
Dovetail Mount, SW MP	170909
Dovetail Mount, Springfield	170910
Dovetail Mount, SW Classic	170911
Dovetail Mount, Kimber 1911	177437
Dovetail Mount, SW MP Core	171203
Dovetail Mount, Ruger American .45	172783
Dovetail Mount, Ruger American 9mm	172784
Dovetail Mount, Marlin 336	172645
DeltaPoint Pro Ring Top Mount Kit: (Compatible with Mark 4, Mark 6, Mark 8, Mark IMS and Mark AR rings.)	
1"	175541
30mm	175550
34mm	175554
35mm	175558

Couldn't find your mounting system solution? It's not over yet. Please see a store associate or call 1-800-Leupold for help with your mounting solution.

Use the Leupold mount finder at:
leupold.com/scope-mounts

BASES FOR CUSTOM GUNMAKERS

CLASSIC GUN MAKER BASES	
Windage (Rear base only)	50033
Dovetail (Front base only)	50034

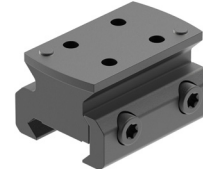


STD (Windage/Dovetail sold separately)

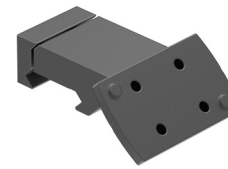
DELTAPOINT PRO ACCESSORIES



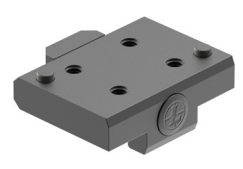
D-LOC MOUNT



AR MOUNT



45° AR MOUNT



CROSS-SLOT MOUNT



DELTAPOINT PRO WITH IRON SIGHT



S&W MP CORE MOUNTING KIT SHOWN. DETAILS DIFFER AMONG HANDGUN APPLICATIONS



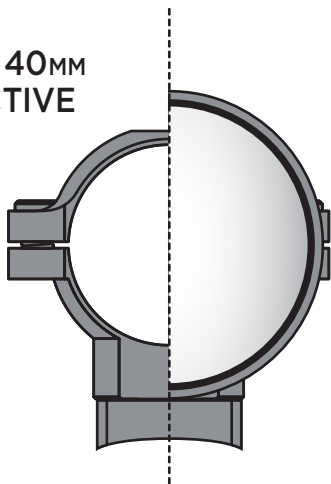
RING TOP MOUNT KIT

3 MATCH RING HEIGHT TO OBJECTIVE DIAMETER

RING HEIGHT (for bolt-action semi-auto hunting rifles)		
OBJECTIVE SIZE	GENERAL FIT	EXCEPTIONS
56mm	Super high	High on some bolt-action rifles
50mm	High	Super high height may be required for heavy barrel
42-45mm	Medium	45mm may require high
40mm	Low	Medium height may be required for heavy barrel
28-36mm	Low	Medium height may be required for heavy barrel
20-24mm	Super low	Low height may be required for bolt handle to clear eyepiece

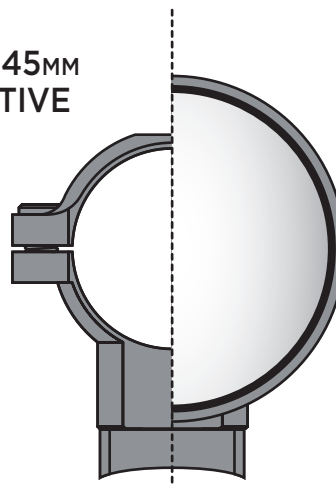
SUPER LOW/LOW RINGS

20MM - 40MM
OBJECTIVE



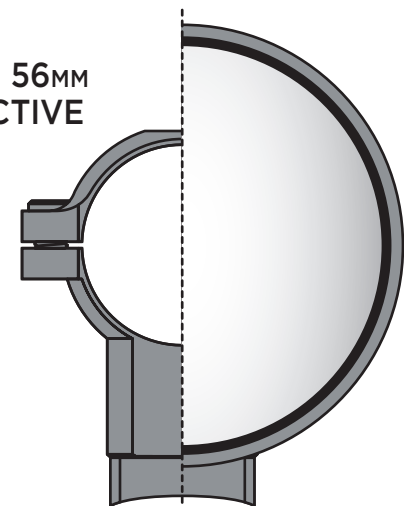
MEDIUM RINGS

40MM - 45MM
OBJECTIVE



HIGH/SUPER HIGH RINGS

45MM - 56MM
OBJECTIVE



4 FIT RING DIAMETER TO MAINTUBE DIAMETER

RING DIAMETER	
SCOPE FAMILY	GENERAL FIT
VX-6HD	30mm, 34mm
VX-5HD	30mm, 34mm
VX-3HD	1", 30mm
VX-Freedom	1", 30mm
Competition	30mm, 34mm
FX-3	1"
FX-I	1"
FX-II	1"
Mark 8	34mm, 35mm
Mark 6	34mm
Mark 5HD	35mm
Mark 3HD	30mm
Freedom RDS	34mm

STD RINGS	Height (in)	Gloss	Matte	Silver
STD 1" Super Low	0.55	-	49896	-
STD 1" Low	0.65	49897	49898	49899
STD 1" Medium	0.77	49900	49901	49902
STD 1" High	0.90	49903	49904	49905
STD 1" Super High	1.00	49906	49907	-
STD 1" Low Extension	0.65	49908	49910	-
STD 1" Medium Extension	0.77	49909	49911	-
STD 1" High Extension	0.90	49912	49913	-
STD 30mm Low	0.65	-	51718	-
STD 30mm Medium	0.77	49960	49956	52494
STD 30mm High	0.90	49961	49959	52495
STD 30mm Super High	1.00	-	51033	-
STD 30mm Medium Extension	0.77	-	51034	-
STD 30mm High Extension	0.90	-	51035	-

DD RINGS	Height (in)	Gloss	Matte	Silver
DD 1" Super Low	0.55	-	60629	-
DD 1" Low	0.65	49914	49915	52313
DD 1" Medium	0.77	49894	49916	52323
DD 1" High	0.90	49917	49918	51730
DD 1" Super High	1.00	-	49919	-
DD 1" High Extension	0.90	-	54159	-
DD 30mm Low	0.65	-	52242	-
DD 30mm Medium	0.77	-	49957	-
DD 30mm High	0.90	-	49958	57314
DD 30mm Super High	1.00	-	52234	-
DD 30mm High Extension	0.90	-	54186	-
DD 34mm Medium	0.77	-	173547	-
DD 34mm High	0.90	-	118283	-
DD 34mm Super High	1.00	-	118284	-
DD 35mm Medium	0.77	-	174326	-
DD 35mm High	0.90	-	180161	-

QR RINGS	Height (in)	Gloss	Matte	Silver
QR 1" Low	0.65	49970	49971	-
QR 1" Medium	0.77	49973	49974	49975
QR 1" High	0.90	49978	49979	-
QR 1" Super High	1.00	-	51715	-
QR 1" Medium Extension	0.77	49983	49976	-
QR 1" High Extension	0.90	-	49981	-

QR RINGS	Height (in)	Gloss	Matte	Silver
QR 30mm Low	0.65	-	51717	-
QR 30mm Medium	0.77	49930	49931	-
QR 30mm Medium Extension	0.77	-	49939	-
QR 30mm High	0.90	49932	49933	-
QR 30mm Super High	1.00	-	51716	-
QR 30mm High Extension	0.90	-	49941	-
QR 34mm High	0.90	-	118285	-
QR 34mm Super High	1.00	-	118286	-

QRW2 RINGS	Height (in)	Gloss	Matte	Silver
QRW2 1" Low	0.73	174064	174065	174066
QRW2 1" Medium	0.85	174067	174068	174069
QRW2 1" High	0.98	174070	174071	174072
QRW2 30mm Low	0.84	174073	174074	-
QRW2 30mm Medium	0.95	174075	174076	-
QRW2 30mm High	1.07	174077	174078	-
QRW2 34mm Medium	1.05	-	177273	-
QRW2 34mm High	1.17	-	177274	-

PRW2 RINGS	Height (in)	Gloss	Matte	Silver
PRW2 1" Low	0.73	-	174079	-
PRW2 1" Medium	0.85	174080	174081	-
PRW2 1" High	0.98	-	174082	-
PRW2 30mm Low	0.84	-	174083	-
PRW2 30mm Medium	0.95	-	174084	-
PRW2 30mm High	1.07	-	174085	-
PRW2 34mm Medium	1.05	-	174086	-
PRW2 34mm High	1.17	-	175860	-

LRW RINGS	Height (in)	Gloss	Matte	Silver
LRW 1" Medium	0.80	-	120974	-
LRW 1" High	0.93	-	120975	-
LRW 30mm Medium	0.80	-	120977	-
LRW 30mm High	0.93	-	120978	-

OPEN RANGE CROSS-SLOT RINGS	Height (in)	Matte
Open Range Cross-Slot 1" Low	0.77	180943
Open Range Cross-Slot 1" Medium	0.90	180944
Open Range Cross-Slot 1" High	1.05	180945
Open Range Cross-Slot 30mm Low	0.89	180946
Open Range Cross-Slot 30mm Medium	0.99	180947
Open Range Cross-Slot 30mm High	1.14	180948

4 FIT RING DIAMETER TO MAINTUBE DIAMETER / CONT.

RING DIAMETER	
SCOPE FAMILY	GENERAL FIT
VX-6HD	30mm, 34mm
VX-5HD	30mm, 34mm
VX-3HD	1", 30mm
VX-Freedom	1", 30mm
Competition	30mm, 34mm
FX-3	1"
FX-I	1"
FX-II	1"
Mark 8	34mm, 35mm
Mark 6	34mm
Mark 5HD	35mm
Mark 3HD	30mm
Freedom RDS	34mm

BACKCOUNTRY CROSS-SLOT RINGS	Ring Height (in)	Matte
BackCountry Cross-Slot Rings 1" Low	0.77	175116
BackCountry Cross-Slot Rings 1" Medium	0.9	175117
BackCountry Cross-Slot Rings 1" High	1.05	175118
BackCountry Cross-Slot Rings 30mm Low	0.89	175119
BackCountry Cross-Slot Rings 30mm Medium	0.99	175120
BackCountry Cross-Slot Rings 30mm High	1.14	175121
BackCountry Cross-Slot Rings 34mm High	1.07	175122
BackCountry Cross-Slot Rings 35mm High	1.09	175123

MARK 4 RINGS	Height (in)	Matte (Aluminum)	Matte (Steel)
Mark 4 1" Medium	0.84	57524	60595
Mark 4 1" Super High	1.40	57526	60019
Mark 4 30mm Medium	0.84	57398	61049
Mark 4 30mm High	1.06	57291	60699
Mark 4 30mm Super High	1.40	57555	60750
Mark 4 34mm Medium	0.84	178530	-
Mark 4 34mm High	1.06	-	59320
Mark 4 34mm Super High	1.40	-	59310
Mark 4 35mm Medium	0.84	178531	-
Mark 4 35mm High	1.06	120180	-
Mark 4 35mm Super High	1.40	174942	-