

# COMPANION<sup>®</sup>

TRUSTED SINCE 1941

## POWERBANK

16,000mAh



### OWNERS MANUAL

Part No. 1000070

COMPANION<sup>®</sup>

POWERBANK 16,000mAh

**IMPORTANT:** Read these instructions for use carefully before operating the unit. Keep these instructions for future reference.

### IMPORTANT

Charge the battery for a minimum of 8 hours before first use or if unit has not been used for a long period of time. To maximise battery life, it is recommended to fully charge the battery every three months.

### SAFETY INFORMATION

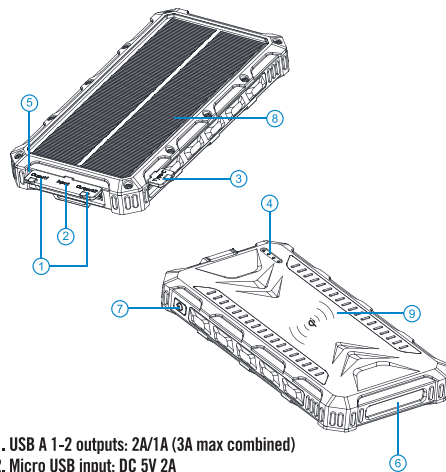
Place unit in well ventilated area when in use or recharging battery. Do not attempt to disassemble or replace the batteries. To be repaired by qualified persons only - contact Customer Service on 1300 555 197. If charging cords become damaged, they must be replaced by a qualified person. This unit is not intended for use by persons (including children) with reduced physical, sensory or mental capabilities or lack of experience and knowledge. Children must be supervised at all times when around this unit.

2

COMPANION<sup>®</sup>

POWERBANK 16,000mAh

### UNDERSTANDING YOUR APPLIANCE



1. USB A 1-2 outputs: 2A/1A (3A max combined)
2. Micro USB input: DC 5V 2A
3. USB Type C input: DC 5V 3A / Output DC 5V 3A
4. LED battery indicators
5. Solar/Wireless charging indicator
6. 4 LED light
7. Power button
8. Solar panel: 5V 0,36A
9. Wireless phone charger: 5V 1A

3

COMPANION<sup>®</sup>

POWERBANK 16,000mAh

### TO RECHARGE BATTERY

**Step 1.** Connect the included micro USB cable to micro USB input (2) or connect USB type C cable (not included) to the USB Type C Input (3).

**Step 2.** Connect the cable to a charger, the power bank will then automatically start charging.

#### Note:

- Please use a 5V charger to charge the powerbank for example 5V wall charger, USB output on computer, car charger.
- Micro USB and USB Type C inputs cannot be used to charge at the same time

The battery's charging status is shown by 4 LED light indicators as per below:

Charging Status LED Indicators	0-25%	25-50%	50-75%	75-99%	100%
1st LED	Flashing Blue	Solid Blue	Solid Blue	Solid Blue	Solid Blue
2nd LED	OFF	Flashing Blue	Solid Blue	Solid Blue	Solid Blue
3rd LED	OFF	OFF	Flashing Blue	Solid Blue	Solid Blue
4th LED	OFF	OFF	OFF	Flashing Blue	Solid Blue

Once all 4 LED indicators are solid blue the powerbank is charged.

**Note:** The powerbank must be fully charged to be able to charge 3 devices at once.

4

FRONT

## EMERGENCY SOLAR CHARGING

The powerbank can be recharged by the built-in solar panel, the solar panel will produce a maximum of 0.36A per hour. This solar panel is designed to be used for emergency charging. It should not be used as a primary source of charging.

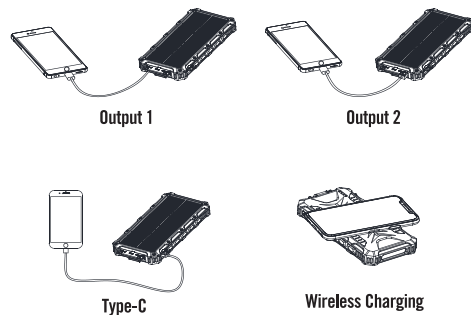
**Step 1.** To start charging place powerbank in direct sunlight with the solar panel facing the sun

**Step 2.** The Solar/Wireless charging indicator (5) will light up solid green while charging.

**Note:** The Solar/Wireless charging indicator will also turn blue when using the Wireless phone charging function.

## CHARGING YOUR DEVICE

**Step 1.** Connect the powerbank to the device you wish to charge, there are 3 ways to charge your device USB A output (1), USB Type C output (3) or wireless phone charging (9)



**Step 2.** Press the power button so your device will begin charging. (If no devices are connected the powerbank will shut off after 35 seconds)

**Note:** The wireless charging will only support phones that have built in wireless charging function.

## LIGHT OPERATION

**Step 1.** Double press the power button (7) to turn on the LED, there are 3 LED functions Torch, Warning, SOS.

**Step 2.** Press the power button (7) once to change between each led function.

**Step 3.** Double press the power button (7) to turn Off the LED

## CLEANING INSTRUCTIONS

**Step 1.** Ensure unit is switched off and disconnected from a power source before cleaning.

**Step 2.** Clean with a damp cloth only.

**Step 3.** Do not use any abrasive cleaners or harsh chemicals.

**Step 4.** Ensure all components are completely dry before storing the unit.

## MAINTENANCE

For further information or assistance please contact customer service on 1300 555 197 or email: [service@companionbrands.com.au](mailto:service@companionbrands.com.au)

## SPECIFICATIONS

<b>Part no.</b>	10000070
<b>Model name</b>	Powerbank 16,000mAh
<b>Input</b>	Micro USB DC 5V 2A (Max) (Cable included)
<b>Input</b>	Type-C DC 5V 3A (max)
<b>Input</b>	Solar 5V 0.36Ah
<b>Output</b>	USB 1-2 DC 5V 2A/1A (3A max combined)
<b>Output</b>	Type-C DC 5V 3A (max)
<b>Output</b>	Wireless 5V 1A (max)
<b>Fully charged</b>	6-8.5Hrs
<b>Torch run time</b>	60Hrs
<b>Dimensions</b>	166L x 92W x 20H mm
<b>Weight</b>	0.37 kg

WARRANTY - For details see [www.companionleisure.com.au/warranty](http://www.companionleisure.com.au/warranty)

Companion<sup>®</sup> is a registered trademark of **Primus Australia Pty Ltd**

Designed & Imported by:  
**Adventure Trading Australia Pty Ltd**  
 71 Charles Ulm Place,  
 Eagle Farm, QLD 4009  
 AUSTRALIA

Made in China

